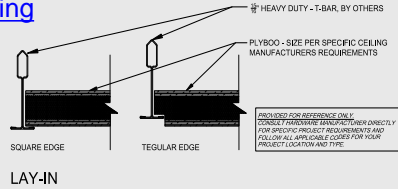
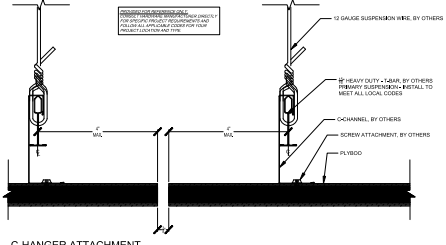
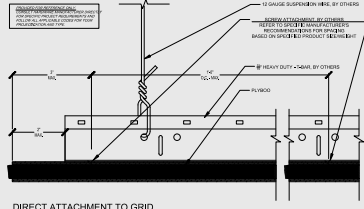
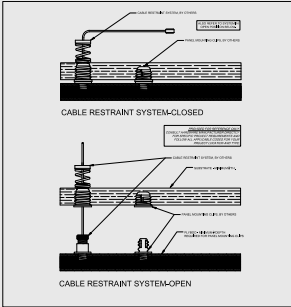
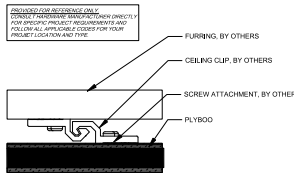


Ceiling Solutions with Plyboo® Reveal, Linear, Sound, Linear Sound, Fractal™ and Living Hinge

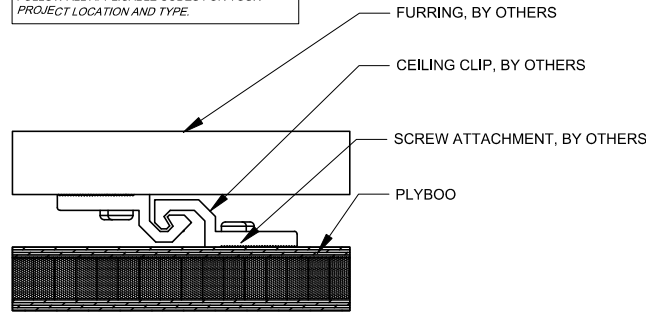


Ceiling Type Information Sheet

| Ceiling Type | Definition | Plyboo Products Considerations | Information |
|--|--|---|---|
| <p>Lay in: hardware available from multiple manufacturers.</p> | <p>Square or Rectangular panel – typically sized at 2'x 2' or 2'x 4' – though some manufacturers offer other sizes.</p> | <p>This will work with most if not all Plyboo panel types. Refer to hardware manufacturer for specific weight and size requirements of ceiling systems.</p> | <p>Download Lay In Ceiling Drawing</p>  |
| <p>C-Hanger: Hardware available from multiple manufacturers</p> | <p>C-Hanger attachment secured to back of Plyboo panel. This is then hung on heavy-duty T-Bar that is suspended per manufacturers respective guidelines.</p> | <p>Refer to hardware manufacturers' recommendations for quantity per size of panel. Panel depth must accept recommended hardware attachment. Some "Living Hinge" or "Linear Sound" panels may not work with this mounting system without additional strapping/material.</p> | <p>Download C-Hanger Attachment Drawing</p>  |
| <p>Direct attachment: GC specific or Star Hanger Systems</p> | <p>Direct attachment to an existing grid can be achieved in a number of ways.</p> | <p>Refer to hardware manufacturers' recommendations for quantity per size of panel. Panel depth must accept recommended hardware attachment. Some "Living Hinge" or "Linear Sound" panels may not work with this mounting system without additional strapping/material.</p> | <p>Download Direct Attachment to Grid Drawing</p>  |

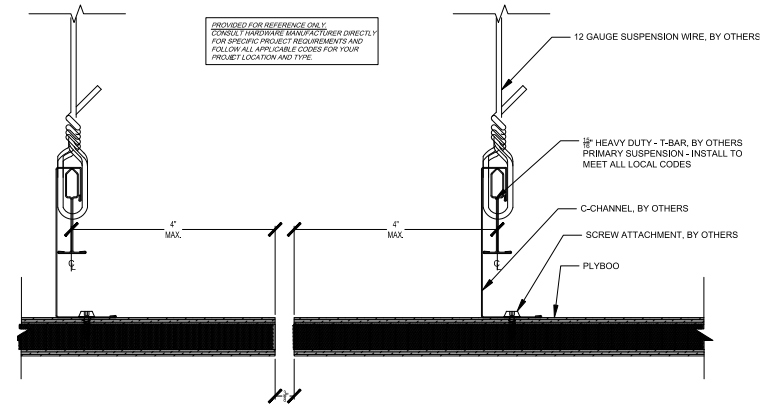
| Ceiling Type Information Sheet | | | |
|--|--|---|--|
| Ceiling Type | Definition | Plyboo Products Considerations | Information |
| Cable Restraint System: Fastmount/Sagutsune | <p>Allows for drop down access without panel removal.</p> | <p>Refer to hardware manufacturers' recommendations for quantity per size of panel. Panel depth must accept recommended hardware attachment. Some "Living Hinge" or "Linear Sound" panels may not work with this mounting system because of minimum solid depth requirements.</p> | <p>Download Cable Restraint Drawing</p> <p>Manufacturer Info</p>  |
| Ceiling Clips: Star Hanger Systems | <p>PLEASE NOTE: THIS PARTICULAR MOUNTING HARDWARE IS IN THE PROCESS OF BEING TESTED FOR EARTHQUAKE MOUNTING. TO BE COMPLETED IN 2017</p> | <p>PLEASE NOTE: THIS PARTICULAR MOUNTING HARDWARE IS IN THE PROCESS OF BEING TESTED FOR EARTHQUAKE MOUNTING. TO BE COMPLETED IN 2019</p> | <p>Download Direct Mount Drawing</p> <p>Star Hanger Information</p> <p>Installation Information</p>  |

PROVIDED FOR REFERENCE ONLY.
CONSULT HARDWARE MANUFACTURER DIRECTLY
FOR SPECIFIC PROJECT REQUIREMENTS AND
FOLLOW ALL APPLICABLE CODES FOR YOUR
PROJECT LOCATION AND TYPE.



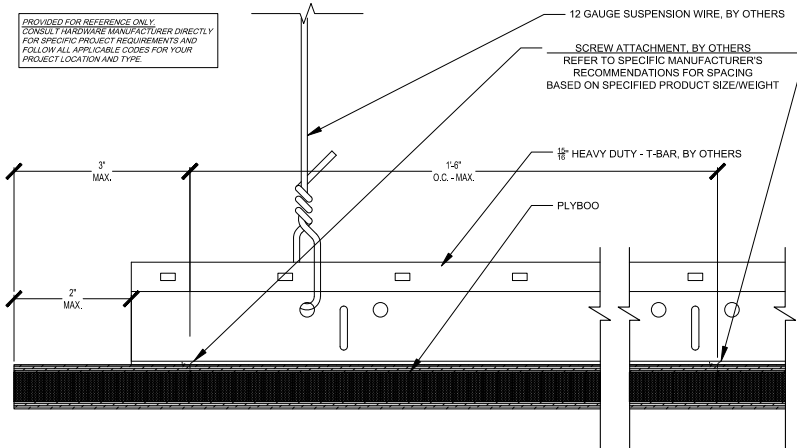
DIRECT MOUNT ATTACHMENT - OPTION 1

PROVIDED FOR REFERENCE ONLY.
CONSULT HARDWARE MANUFACTURER DIRECTLY
FOR SPECIFIC PROJECT REQUIREMENTS AND
FOLLOW ALL APPLICABLE CODES FOR YOUR
PROJECT LOCATION AND TYPE.



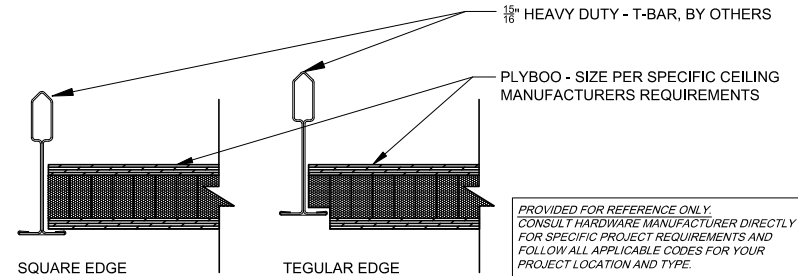
C-HANGER ATTACHMENT

PROVIDED FOR REFERENCE ONLY.
CONSULT HARDWARE MANUFACTURER DIRECTLY
FOR SPECIFIC PROJECT REQUIREMENTS AND
FOLLOW ALL APPLICABLE CODES FOR YOUR
PROJECT LOCATION AND TYPE.



DIRECT ATTACHMENT TO GRID

1 1/8\"/>



LAY-IN

PROVIDED FOR REFERENCE ONLY.
CONSULT HARDWARE MANUFACTURER DIRECTLY
FOR SPECIFIC PROJECT REQUIREMENTS AND
FOLLOW ALL APPLICABLE CODES FOR YOUR
PROJECT LOCATION AND TYPE.