

### Base Shoe

|             |                                |  |
|-------------|--------------------------------|--|
| QRD-100PD   | Prefinished, Havana Strand     | $\frac{7}{16}$ " x $\frac{3}{4}$ " x 72" |
| QRD-100PH   | Prefinished, Sahara Strand     | $\frac{7}{16}$ " x $\frac{3}{4}$ " x 72" |
| QRD-P100NEO | Prefinished, Neopolitan Strand | $\frac{7}{16}$ " x $\frac{3}{4}$ " x 72" |



### Baseboard

|           |                            |                            |
|-----------|----------------------------|----------------------------|
| BB-0372PD | Prefinished, Havana Strand | $\frac{5}{8}$ " x 3" x 72" |
| BB-0372PH | Prefinished, Sahara Strand | $\frac{5}{8}$ " x 3" x 72" |



### Reducer

|             |                                |                             |
|-------------|--------------------------------|-----------------------------|
| RS-3872PD   | Prefinished, Havana Strand     | $\frac{3}{8}$ " x 2" x 72"  |
| RS-3872PH   | Prefinished, Sahara Strand     | $\frac{3}{8}$ " x 2" x 72"  |
| RS-P3872NEO | Prefinished, Neopolitan Strand | $\frac{3}{8}$ " x 2" x 72"  |
| RS-5872PD   | Prefinished, Havana Strand     | $\frac{9}{16}$ " x 2" x 72" |
| RS-5872PH   | Prefinished, Sahara Strand     | $\frac{9}{16}$ " x 2" x 72" |



### Stair Nosing

|             |                                |  |
|-------------|--------------------------------|--|
| SN-3872PD   | Prefinished, Havana Strand     | $\frac{3}{8}$ " x 3 $\frac{3}{4}$ " x 72"  |
| SN-3872PH   | Prefinished, Sahara Strand     | $\frac{3}{8}$ " x 3 $\frac{3}{4}$ " x 72"  |
| SN-P3872NEO | Prefinished, Neopolitan Strand | $\frac{3}{8}$ " x 3 $\frac{3}{4}$ " x 72"  |
| SN-5872PD   | Prefinished, Havana Strand     | $\frac{9}{16}$ " x 3 $\frac{3}{4}$ " x 72" |
| SN-5872PH   | Prefinished, Sahara Strand     | $\frac{9}{16}$ " x 3 $\frac{3}{4}$ " x 72" |



### Stair Steps

|            |                            |                |
|------------|----------------------------|----------------|
| SS-P1248PD | Prefinished, Havana Strand | 1" x 12" x 48" |
| SS-P1248PH | Prefinished, Sahara Strand | 1" x 12" x 48" |



### Threshold (Standard)

|              |                                |   |
|--------------|--------------------------------|---|
| TH-S5872PD   | Prefinished, Havana Strand     | $\frac{5}{8}$ " x 3 $\frac{5}{8}$ " x 72" |
| TH-S5872PH   | Prefinished, Sahara Strand     | $\frac{5}{8}$ " x 3 $\frac{5}{8}$ " x 72" |
| TH-P91672NEO | Prefinished, Neopolitan Strand | $\frac{5}{8}$ " x 3 $\frac{5}{8}$ " x 72" |



### Threshold (Overlap)

|            |                            |                            |
|------------|----------------------------|----------------------------|
| TH-O3872PD | Prefinished, Havana Strand | $\frac{5}{8}$ " x 2" x 72" |
| TH-O3872PH | Prefinished, Sahara Strand | $\frac{5}{8}$ " x 2" x 72" |
| TH-O5872PD | Prefinished, Havana Strand | $\frac{3}{4}$ " x 2" x 72" |
| TH-O5872PH | Prefinished, Sahara Strand | $\frac{3}{4}$ " x 2" x 72" |

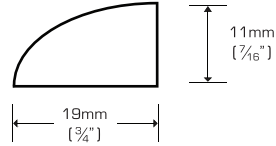


### T-Molding

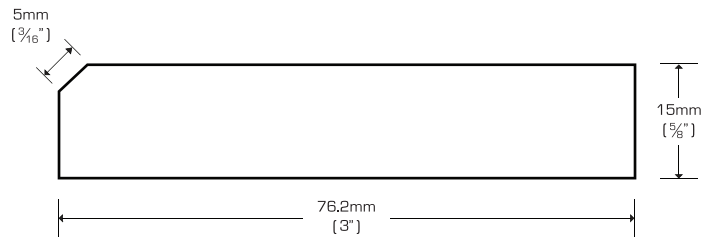
|            |                            |                             |
|------------|----------------------------|-----------------------------|
| TM-P3872PD | Prefinished, Havana Strand | $\frac{3}{8}$ " x 2" x 72"  |
| TM-P3872PH | Prefinished, Sahara Strand | $\frac{3}{8}$ " x 2" x 72"  |
| TM-P5872PD | Prefinished, Havana Strand | $\frac{9}{16}$ " x 2" x 72" |
| TM-P5872PH | Prefinished, Sahara Strand | $\frac{9}{16}$ " x 2" x 72" |



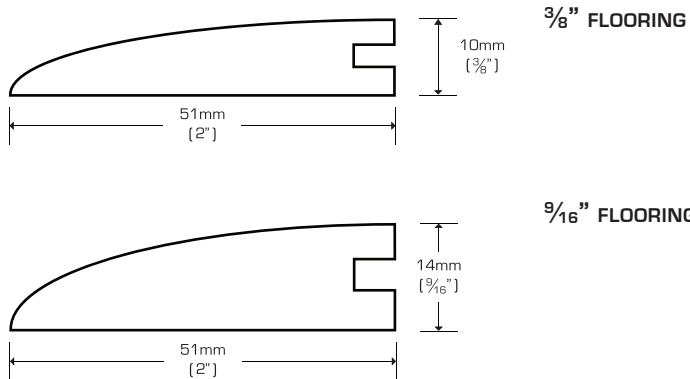
**Base Shoe**



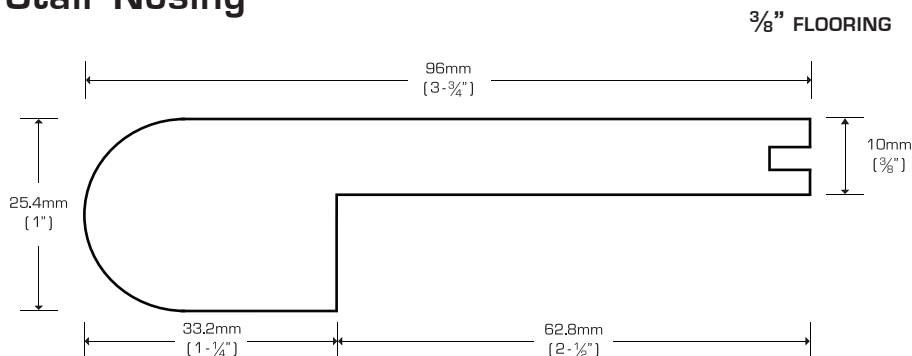
**Baseboard**



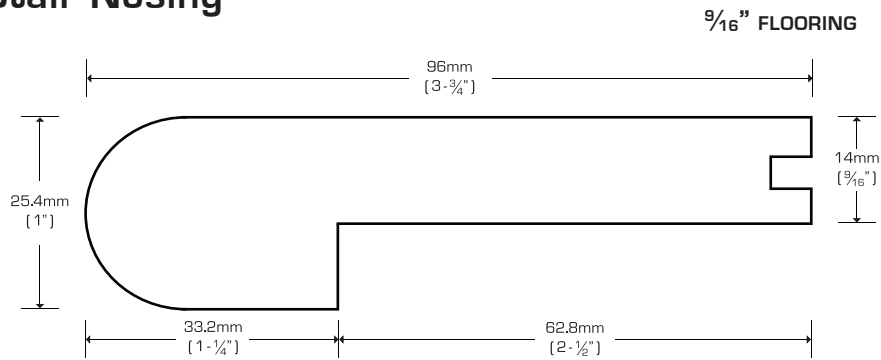
**Reducer**



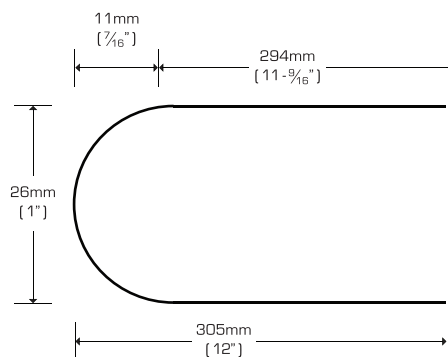
**Stair Nosing**



**Stair Nosing**

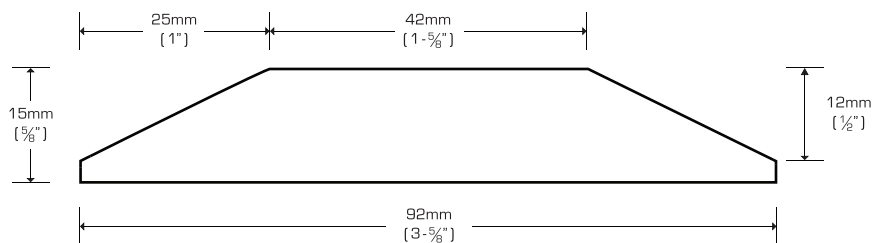


**Stair Step\***



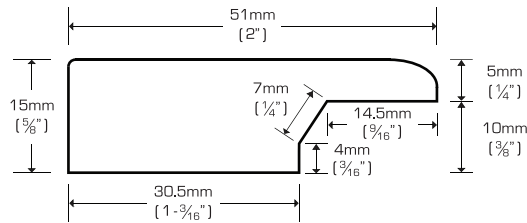
\*The prefinished amber edge grain stair step is pictured here for geometric reference only, stair steps are available as prefinished Sahara or Havana.

**Threshold (Standard)**



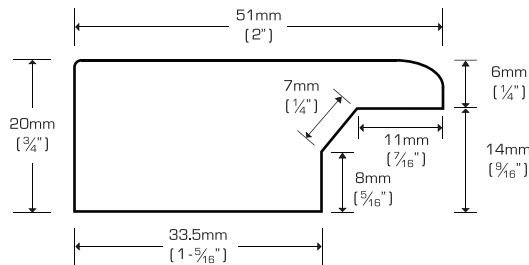
**Threshold (Overlap)**

**3/8" FLOORING**



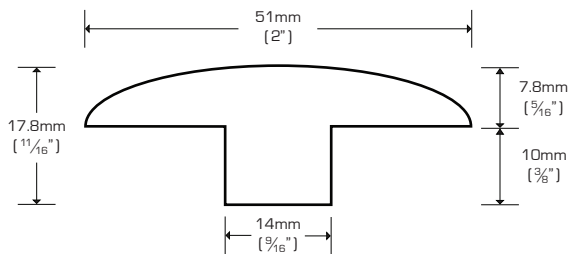
**Threshold (Overlap)**

**9/16" FLOORING**



**T-Molding**

**3/8" FLOORING**



**T-Molding**

**9/16" FLOORING**

